

# ReCargo Box



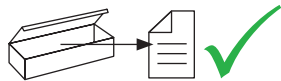
---

All the pleasure of travelling

---

## Montageanleitung | Installation instruction

1.



(E) Contenido embalaje: ¡Verificar!

x 1

(GB) Package content: Check!

(F) Contenu d'emballage: Vérifier!

(D) Packungsinhalt: Überprüfen!

(PT) Contéudo embalagem:  
Verificar!

(PL) Zawartość opakowania:  
sprawdź!

(CZ) Obsah balení: Zkontrolujte!

(HU) Csomag tartalma: Ellenőrizd!

(RO) Pachetul contine: Verificati!

(HR) Sadržaj paketa: Provjeri!

(GR) Ελέγξτε το περιεχόμενο: του  
πακέτου!

(TR) Paket içeriğini: Control ediniz!

(RU) Содержание упаковки:  
Проверьте!

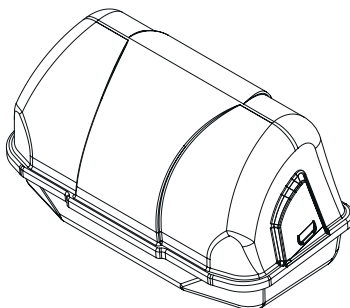
(I) Contenuto della confezione:  
Controllare!

(NL) Pakket inhoud: Controleer!

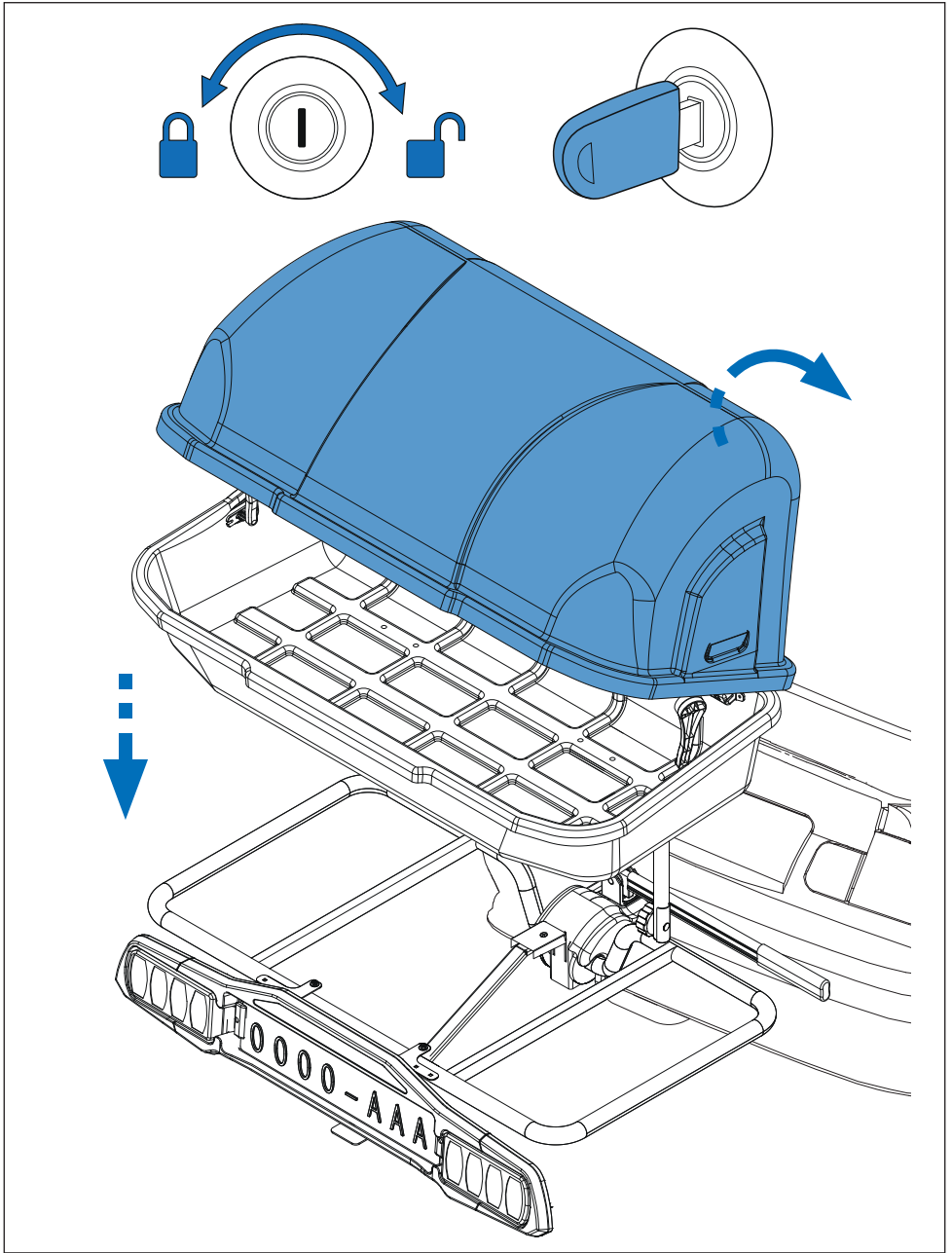
(SLO) Vsebina paketa: Preverite!



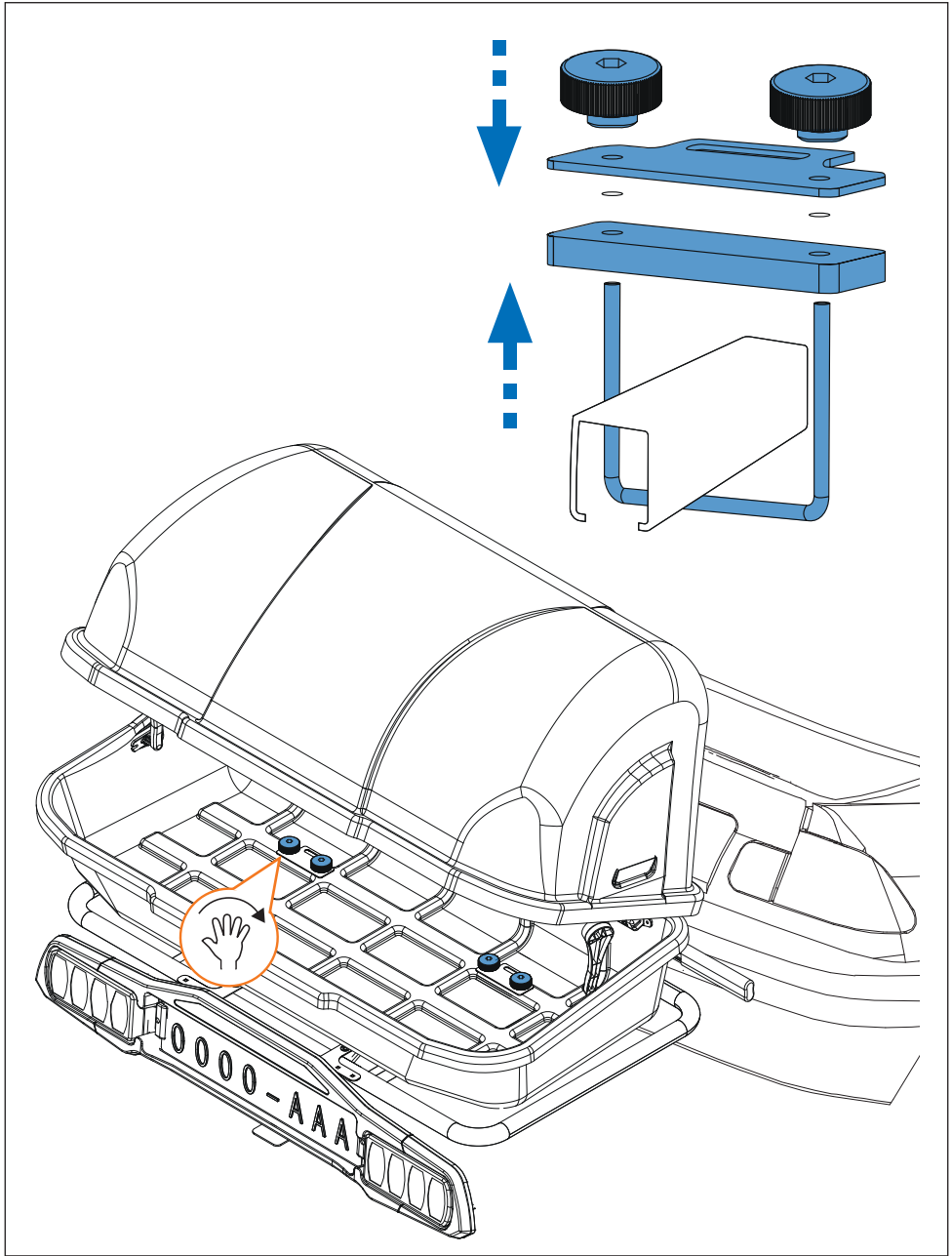
x 1



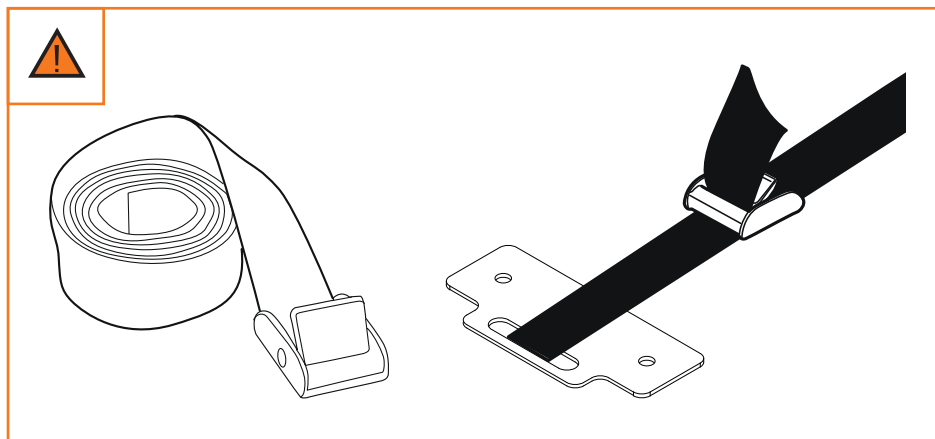
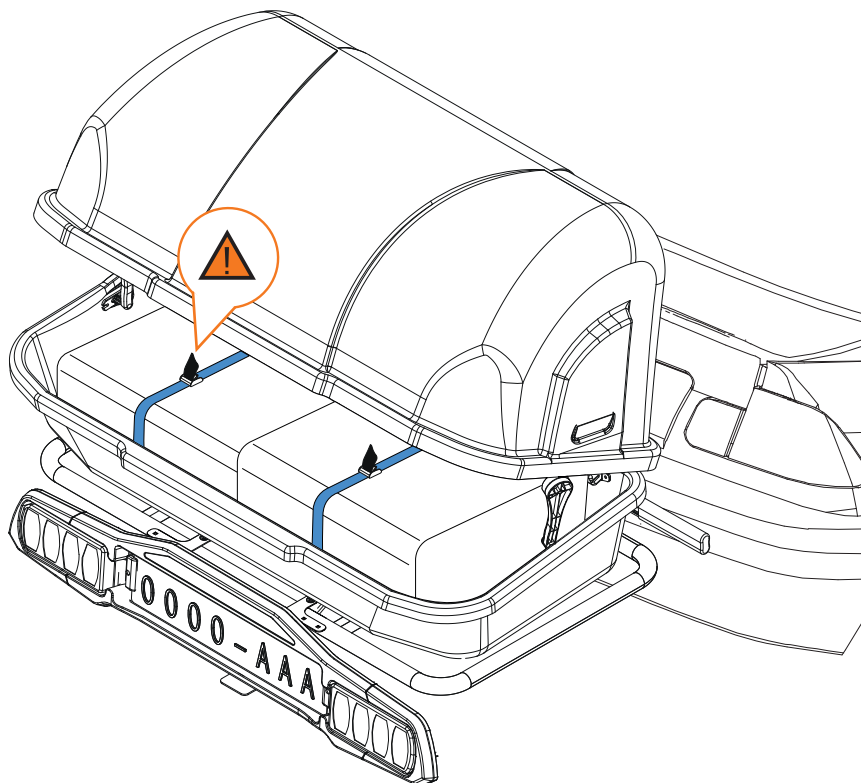
2.



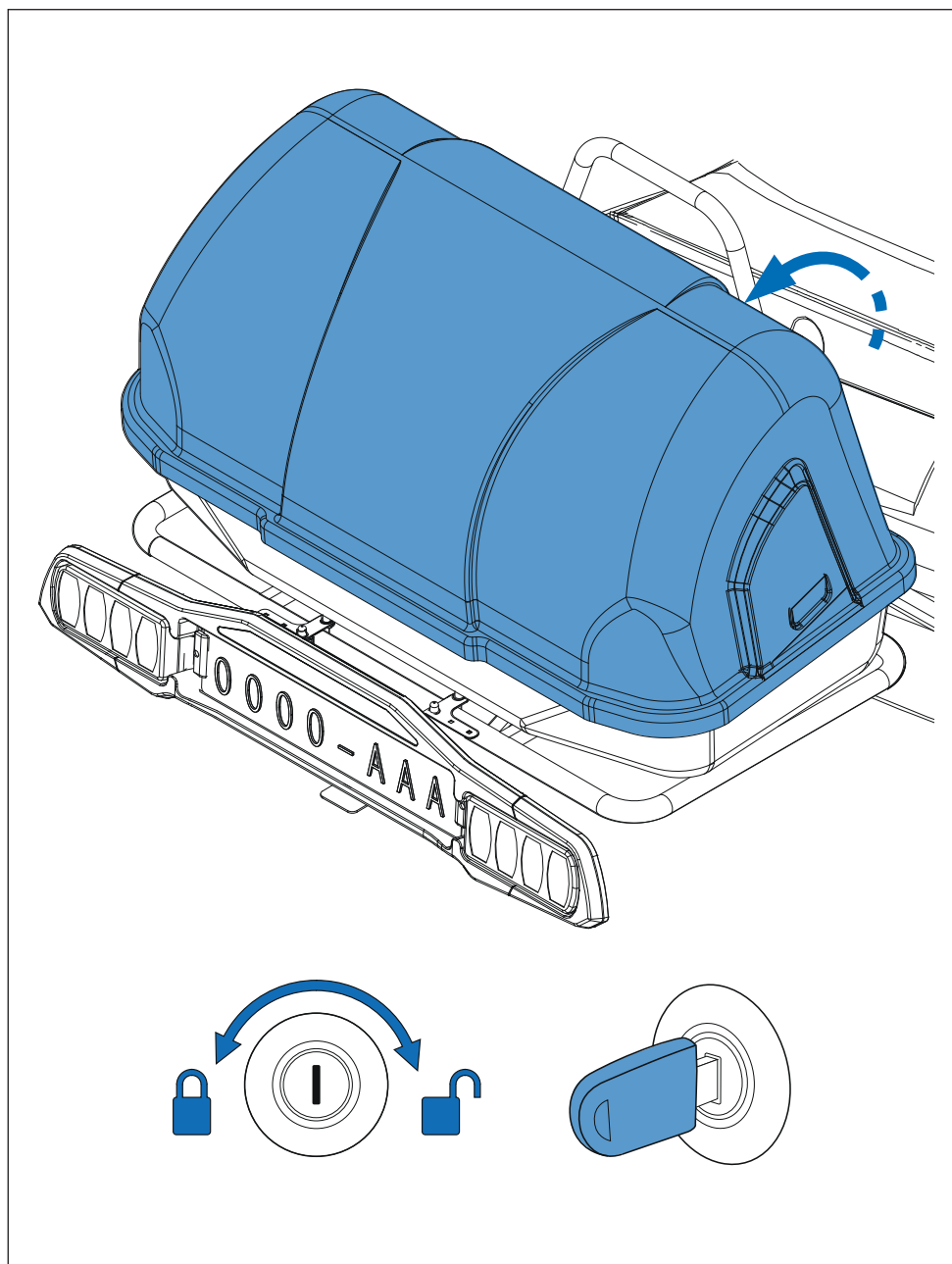
3. 



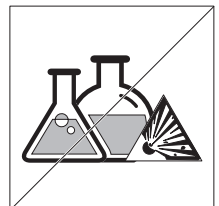
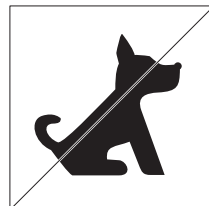
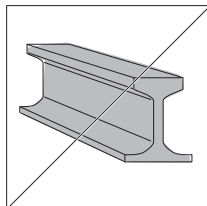
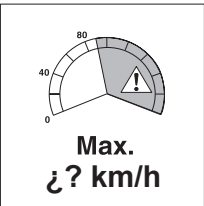
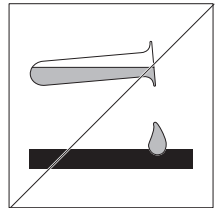
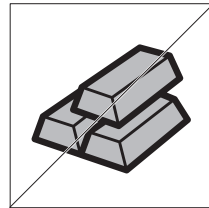
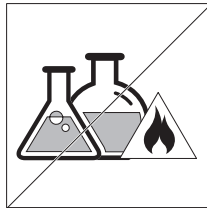
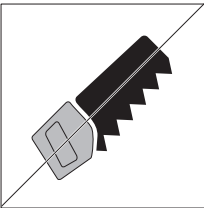
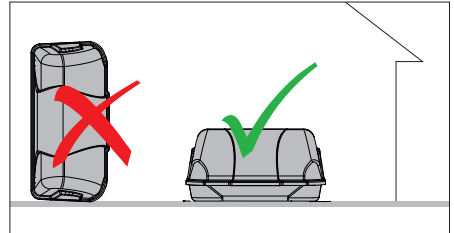
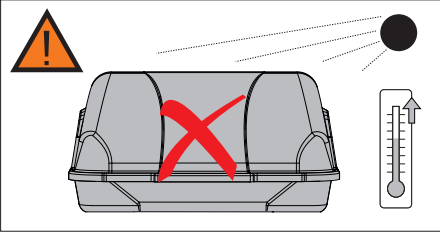
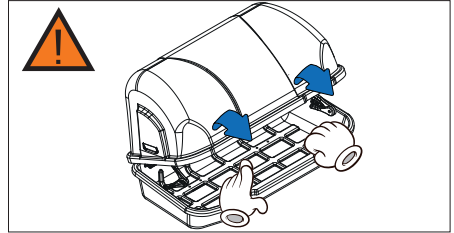
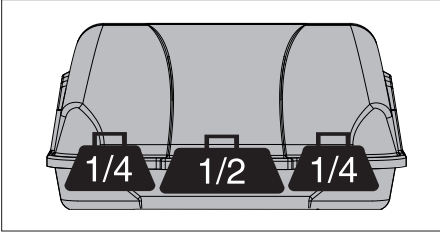
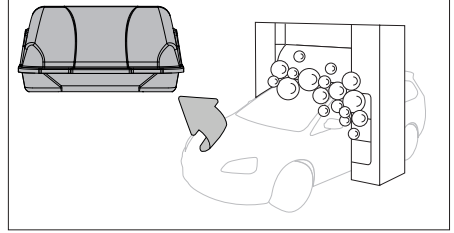
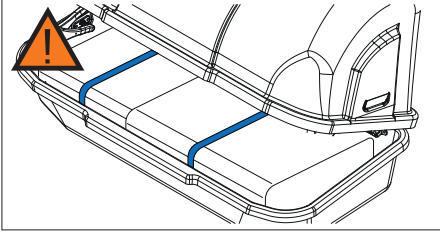
4. 



5. 



6. 





Brand of Modula srl  
Loc. Penisola 20/A  
61026 Piandimeleto (PU) Italy  
P +39 0722700070  
F +39 0722 720017  
W [www.modulacs.com](http://www.modulacs.com)  
E [info@modulacs.com](mailto:info@modulacs.com)

*Design and manufactured made in Italy*

---

COCS090197

